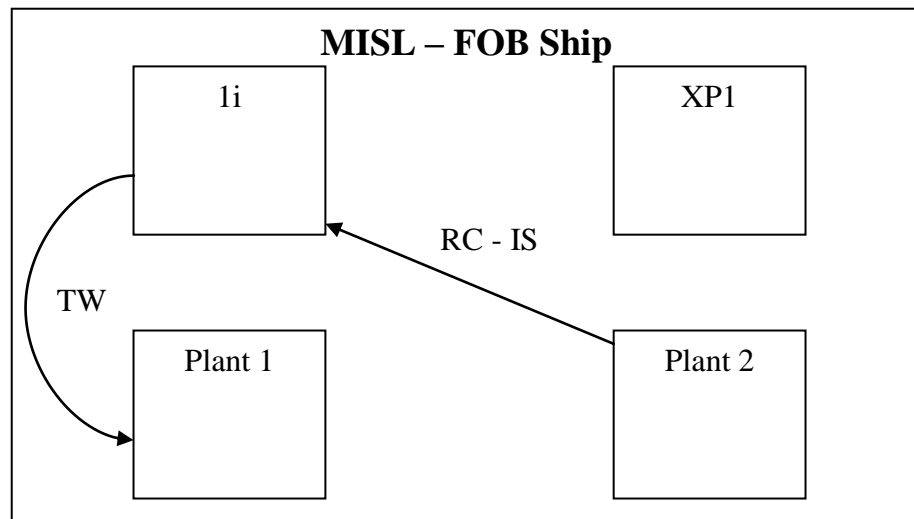




FOB SHIPPING FOR MISL



Agility is pleased to announce a new enhancement for the ERP for iSeries: FOB Shipping for MISL. One of the limitations of traditional MISL transactions is in accounting for the transaction and when goods legally change hands. For some organizations this raised serious legal, regulatory and accounting issues. But FOB (Free-on-Board) Shipping changes all of that.

FOB Shipping for MISL solves this problem simply and effectively: When goods leave the supplying site (Plant 2) an inventory ship transaction (IS) is created. This transaction is offset by a miscellaneous receipt (RC) to the InterSite warehouse (1i). To complete the transaction a transfer warehouse (TW) from the InterSite warehouse (1i) to the demand site (Plant 1).

FOB Shipping

Is FOB Shipping for MISL right for your organization? We'd welcome the opportunity to discuss your organizations requirements.



AGILITY, INC.

7000 Fitzwater Road,
Suite 220
Cleveland, Ohio 44141
440.546.9290 Phone
440.546.9291 Fax
sales@agility-inc.com